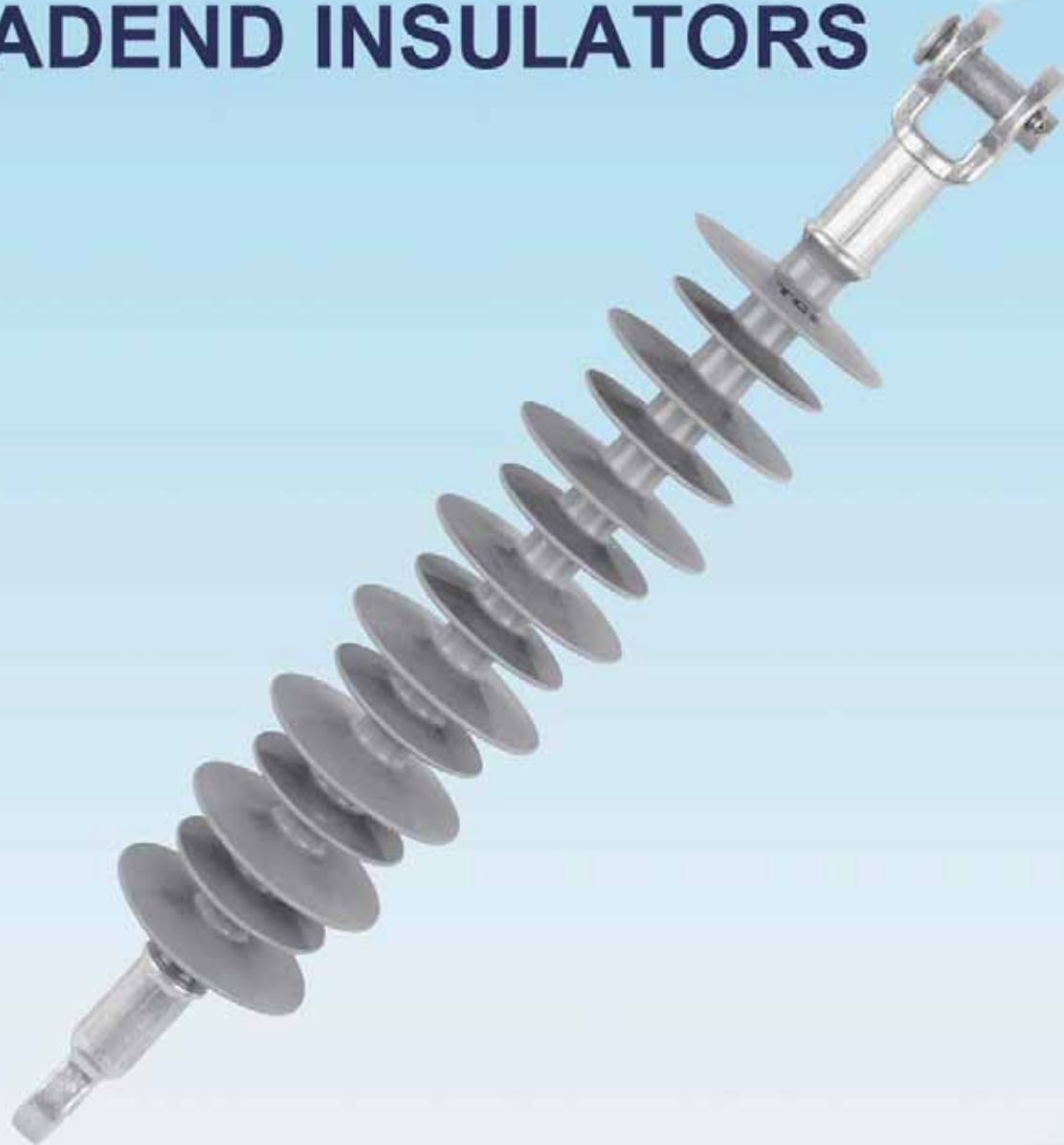


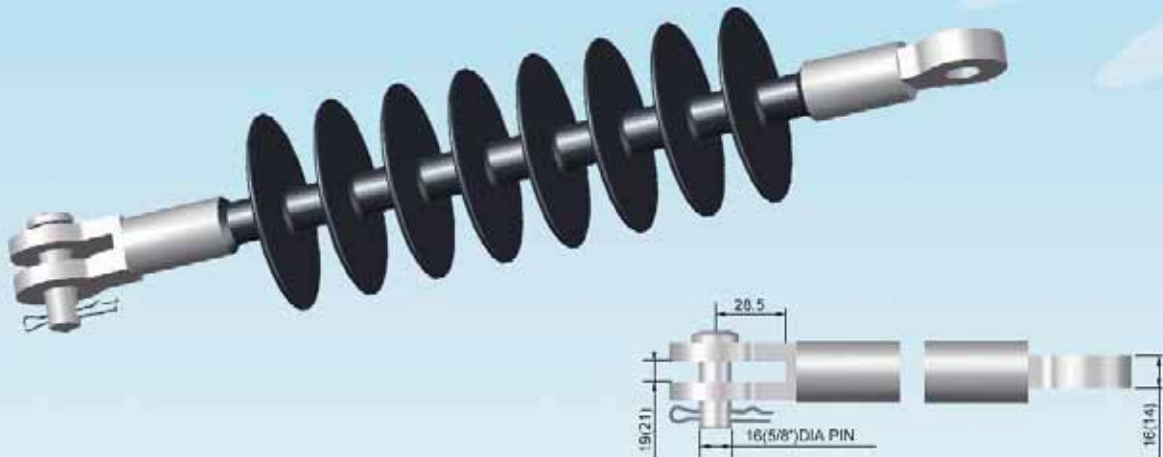


DISTRIBUTION DEADEND INSULATORS



Dalian Tucheng International Co.,Ltd.
tcipower.en.alibaba.com / www.tcipower.com

DISTRIBUTION DEADEND INSULATORS



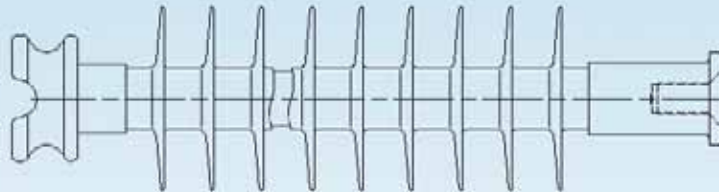
REQUIREMENTS	UNITS	DS-15	DS-28	DS-35	DS-46	DS-69
DIMENSIONS						
Section Length L	mm	324±5	435±5	525±10	590±15	750±25
Leakage Distance	mm	410	620	920	1000	1800
ELECTRICAL RATINGS						
Low-Frequency Dry Flashover	kV(rms)	90	130	145	180	220
Low-Frequency Wet Flashover	kV(rms)	65	100	130	145	185
Positive Critical Impulse Flashover	kV(peak)	140	190	250	280	360
Radio-Influence Voltage						
Test Voltage	kV(rms)	15	20	30	30	45
Max. RIV @ 1000 kHz		10	10	10	10	10
MECHANICAL RATINGS						
Min.S.M.L	LB	10,000	10,000	10,000	10,000	10,000
Min.Torsional load	FT-LB	35	35	35	35	35

COMPOSITE-DISTRIBUTION LINE POST INSULATORS



COMPOSITE-DISTRIBUTION LINE POST INSULATORS

Vertical tie-top Center tap base type (C&F neck)



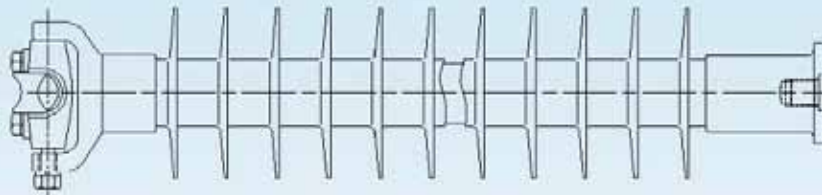
DCI#	Low frequency flashover		Critical impulse flashover	Radio influence voltage		Section length	Leakage distance	Dry arcing distance	Specified cantilever load	Specified tensile load	Center-hole nominal thread size
	Dry kV	Wet kV	(Positive) kV	Test voltage kV	Max RIV at 1 MHz microvolts	Inches (mm)	Inches (mm)	Inches (mm)	SCL Pounds (kN)	STL Pounds (kN)	Inches
D51-1C	55	30	95	10	100	11.8±1.5 300±15	16 (406)	6.3 (160)	2400 (10.7)	2000 (8.9)	3/4
D51-2C	70	50	120	15	100	14.7±1.5 373±15	29 (736)	9.7 (246)	2400 (10.7)		
D51-3C	100	70	160	22	100	15.7±1.5 399±15	32 (812)	10.2 (259)	2400 (10.7)		
D51-4C	125	95	200	30	200	18.1±1.5 460±15	44 (1117)	12.9 (327)	2240 (10)		
D51-1F	55	30	95	10	100	11.8±1.5 300±15	16 (406)	6.3 (160)	2400 (10.7)	2000 (8.9)	3/4
D51-2F	70	50	120	15	100	14.7±1.5 373±15	29 (736)	9.7 (246)	2400 (10.7)		
D51-3F	100	70	160	22	100	15.7±1.5 399±15	32 (812)	10.2 (259)	2400 (10.7)		
D51-4F	125	95	200	30	200	18.1±1.5 460±15	44 (1117)	12.9 (327)	2240 (10)		

COMPOSITE-DISTRIBUTION LINE POST INSULATORS



COMPOSITE-DISTRIBUTION LINE POST INSULATORS

Vertical clamp-top Center tap base type



DCI#	Low frequency flashover		Critical impulse flashover	Radio influence voltage		Section length	Leakage distance	Dry arcing distance	Specified cantilever load	Specified tensile load	Center-hole nominal thread size
	Dry kV	Wet kV		(Positive) kV	Test voltage kV						
D51-11	55	30	95	10	100	11.8±1.5 300±15	16 (406)	6.3 (160)	2400 (10.7)	5000 (22.2)	3/4
D51-12	70	50	120	15	100	14.7±1.5 373±15	29 (736)	9.7 (246)	2400 (10.7)		
D51-13	100	70	160	22	100	15.7±1.5 399±15	32 (812)	10.2 (259)	2400 (10.7)		
D51-14	125	95	200	30	200	18.1±1.5 460±15	44 (1117)	12.9 (327)	2240 (10)		
D51-15	160	130	265	44	200	22.8±1.5 580±25	42 (1066)	16.3 (414)	2400 (10.7)		
D51-16	180	150	300	44	200	25.9±1.5 658±25	52 (1320)	19.4 (492)	2400 (10.7)		7/8

COMPOSITE-DISTRIBUTION LINE POST INSULATORS





COMPOSITE-DISTRIBUTION LINE POST INSULATORS

Horizontal clamp-top Center tap
base type/ Gain base type

DCI#	Low frequency flashover		Critical impulse flashover (Positive) kV	Radio influence voltage		Section length Inches (mm)	Leakage distance Inches (mm)	Dry arcing distance Inches (mm)	Specified cantilever load SCL Pounds (kN)	Specified tensile load STL Pounds (kN)	Center-hole nominal thread size Inches
	Dry kV	Wet kV		Test voltage kV	Max RIV at 1 MHz microvolts						
D51-21	55	30	95	10	100	11.8±1.5 300±15	16 (406)	6.3 (160)	2400 (10.7)	5000 (22.2)	3/4
D51-22	70	50	120	15	100	14.7±1.5 373±15	29 (736)	9.7 (246)	2400 (10.7)		
D51-23	100	70	160	22	100	15.7±1.5 399±15	32 (812)	10.2 (259)	2400 (10.7)		
D51-24	125	95	200	30	200	18.1±1.5 460±15	44 (1117)	12.9 (327)	2240 (10)		
D51-25	180	130	285	44	200	22.8±1.5 580±25	42 (1068)	16.3 (414)	2400 (10.7)		
D51-26	180	150	300	44	200	25.9±1.5 658±25	52 (1320)	19.4 (492)	2400 (10.7)		7/8

DCI#	Low frequency flashover		Critical impulse flashover (Positive) kV	Radio influence voltage		Section length Inches (mm)	Leakage distance Inches (mm)	Dry arcing distance Inches (mm)	Specified cantilever load SCL Pounds (kN)	Specified tensile load STL Pounds (kN)	Center-hole nominal thread size Inches
	Dry kV	Wet kV		Test voltage kV	Max RIV at 1 MHz microvolts						
D51-31	55	30	95	10	100	14.8±2.5 376±25	16 (406)	6.3 (160)	2400 (10.7)	5000 (22.2)	/
D51-32	70	50	120	15	100	17.7±1.5 450±25	29 (736)	9.7 (246)	2400 (10.7)		/
D51-33	100	70	180	22	100	18.7±2.5 475±25	32 (812)	10.2 (259)	2400 (10.7)		/
D51-34	125	95	200	30	200	21.0±2.5 533±25	44 (1117)	12.9 (327)	2240 (10)		/
D51-35	180	130	285	44	200	25.8±2.5 655±25	42 (1068)	16.3 (414)	2400 (10.7)		/
D51-36	180	150	300	44	200	28.1±2.5 714±25	52 (1320)	19.4 (492)	2400 (10.7)		/

Add: 66-1-2, Dandong Street, Zhongshan Dist., Dalian, China.

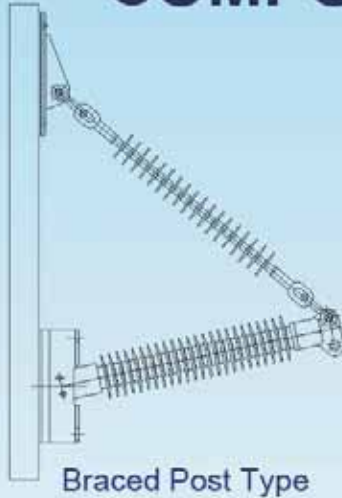
Tel: +86-411-82789881 E-mail: info@tcipower.com Website: http://www.tcipower.com

Germany: Heinrich-Heine-Allee 3, 40213 Düsseldorf

COMPOSITE-TRANSMISSION LINE POSTS



COMPOSITE-TRANSMISSION LINE POSTS



Braced Post Type



Clamp Top Type

Braced Post Type	DCI#	Line Voltage (kV)	MDCL (lbs)	Dry Arc (in)	Leakage (in)	Dry Electrical Flashover (kV) 60 Hz	Wet Electrical Flashover (kV) 60 Hz	CIFO+ (kV)	CIFO- (kV)
	DBP-11	69	11,369	27.2	60.8	220	185	350	390
	DBP-12	69	11,233	32.7	76.8	265	230	365	420
	DBP-21	115	10,830	38.2	89	320	280	455	510
	DBP-22	115/138	10,652	45.7	109.2	370	325	525	585
	DBP-23	138	10,448	51.8	125.2	425	370	615	675
	DBP-24	138/161	10,239	56.8	137.4	475	420	700	770

Clamp Top Type	DCI#	Line Voltage (kV)	MDCL (lbs)	Dry Arc (in)	Leakage (in)	Dry Electrical Flashover (kV) 60 Hz	Wet Electrical Flashover (kV) 60 Hz	CIFO+ (kV)	CIFO- (kV)
	DBP-31	69	2,500	25.6	63.8	195	165	320	365
	DBP-32	69	2,500	29.5	74.4	240	205	380	420
	DBP-33	69	2,200	33.4	85	265	230	410	445
	DBP-34	115	2,000	37.3	95.6	300	265	420	455
	DBP-35	115	1,800	41.2	106.1	350	315	465	505
	DBP-36	115/138	1,600	45.1	116.7	370	325	525	585
	DBP-37	115/138	1,500	49	127.3	425	370	615	665
DBP-38	138	1,400	52.9	137.9	455	415	670	720	

Add: 66-1-2, Dandong Street,Zhongshan Dist., Dalian, China.

Tel: +86-411-82789881 E-mail: info@tcipower.com Website:http://www.tcipower.com

Germany: Heinrich-Heine-Allee 3, 40213 Düsseldorf



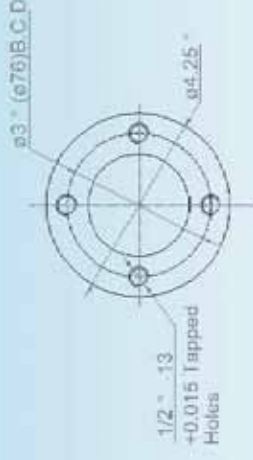
COMPOSITE STATION POST INSULATORS-STANDARD STRENGTH



Dalian Tucheng International Co., Ltd.

tcipower.en.alibaba.com / www.tcipower.com

COMPOSITE STATION POST INSULATORS-STANDARD STRENGTH



DCI#	BIL	Height		B.C	Dia	Cantilever		Tensile		Compression		Torsion		RIV		Leakage		Low Freq Impulse	
		Overall Inch (mm)	Tolerance inch (mm)			Top inch	Base inch	SCL Lbs (kN)	STL Lbs (kN)	Lbs (kN)	Strength in-lbs (kN-m)	Test Volt KV	Max RIV @1000KHz microvolts	Dist. Inch (mm)	Crit. Imp. Flashover KV	Wet With. KV	Impulse KV		
D202P	95	7 1/2(190)	(+/-)	3	3	2000 (8.9)	7000 (31.1)	7000 (31.1)	6000 (0.7)	5	50	12(305)	105	30	95				
D205P	110	10 (254)	1/32 (0.8)	3	3	2000 (8.9)	8500 (37.8)	8500 (37.8)	6000 (0.7)	10	50	20(508)	125	40	110				
D208P	150	14(357)	1/32 (0.8)	3	3	2000 (8.9)	10,000 (44.5)	10,000 (44.5)	6000 (0.7)	15	100	32(813)	165	60	150				
D210P	200	18(457)	1/32 (0.8)	3	3	2000 (8.9)	10,000 (44.5)	10,000 (44.5)	6000 (0.7)	22	100	43(1092)	225	80	200				
D214P	250	22(559)	1/32 (0.8)	3	3	2000 (8.9)	10,000 (44.5)	10,000 (44.5)	6000 (0.7)	30	200	55(1397)	280	100	250				
D216P	350	30(762)	1/32 (0.8)	3	3	1500 (6.7)	16,000 (71.2)	16,000 (71.2)	6000 (0.7)	44	200	77(1956)	390	145	350				
D278P	350	30(762)	1/32 (0.8)	5	5	2000 (8.9)	17,500 (77.8)	17,500 (77.8)	6000 (0.7)	44	200	72(1829)	370	145	350				
D286P	550	45(1143)	1/16 (1.6)	5	5	1700 (7.6)	17,500 (77.8)	17,500 (77.8)	14,000 (1.6)	73	200	106(2692)	595	230	550				
D287P	550	45(1143)	1/16 (1.6)	5	5	2600 (11.6)	17,500 (77.8)	17,500 (77.8)	14,000 (1.6)	73	200	108(2692)	610	230	550				
D288P	650	54(1372)	1/16 (1.6)	5	5	1400 (6.2)	17,500 (77.8)	17,500 (77.8)	14,000 (1.6)	88	200	162(4115)	710	275	650				
D289P	650	54(1372)	1/16 (1.6)	5	5	2200 (9.8)	17,500 (77.8)	17,500 (77.8)	18,000 (2.0)	88	200	162(4115)	710	275	650				
D291P	750	62(1575)	3/32 (2.4)	5	5	1200 (5.3)	17,500 (77.8)	17,500 (77.8)	18,000 (2.0)	103	500	159(4039)	810	315	750				
D295P	750	62(1575)	3/32 (2.4)	5	5	1850 (8.2)	17,500 (77.8)	17,500 (77.8)	18,000 (2.0)	103	500	159(4039)	810	315	750				
D304P	900	80(2032)	1/8 (3.2)	5	5	950 (4.2)	17,500 (77.8)	17,500 (77.8)	18,000 (2.0)	146	500	224(5690)	1010	385	900				
D308P	900	80(2032)	1/8 (3.2)	5	5	1450 (6.4)	17,500 (77.8)	17,500 (77.8)	18,000 (2.0)	146	500	224(5690)	1010	385	900				
D312P	1050	92(2337)	1/8 (3.2)	5	5	800 (3.5)	17,500 (77.8)	17,500 (77.8)	18,000 (2.0)	146	500	263(6680)	1210	455	1050				
D316P	1050	92(2337)	1/8 (3.2)	5	5	1250 (5.6)	17,500 (77.8)	17,500 (77.8)	18,000 (2.0)	146	500	263(6680)	1210	455	1050				



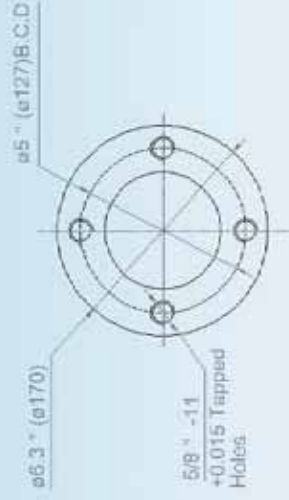
COMPOSITE STATION POST INSULATORS-HIGH STRENGTH



Dalian Tucheng International Co.,Ltd.

tcipower.en.alibaba.com / www.tcipower.com

COMPOSITE STATION POST INSULATORS-HIGH STRENGTH



DCI#	BIL	Height		B.C	Dia	Cantilever		Tensile		Compression		Torsion		RIV		Leakage		Crit. Imp.		Low Freq Impulse	
		Overall	Tolerance			Top	Base	SCL	STL	Lbs (kN)	Lbs (kN)	Strength	Strength	In-lbs (KN-m)	Test Volt	Max RIV	Dist.	Flashover	Wet With.	Withstand	
	KV	Inch (mm)	Inch (mm)	Inch	Inch	Lbs (min)	Lbs (min)	Lbs (min)	Lbs (min)	Lbs (min)	Lbs (min)	In-lbs (min)	KV	@1000KHz microvolts	Inch (mm)	KV	KV	(min)	KV	(min)	
D286P	550	45(1143)	1/16 (1.6)	5	5	1700 (7.6)	17,500 (77.8)	17,500 (77.8)	17,500 (77.8)	17,500 (77.8)	14,000 (1.6)	73	200	106(2692)	595	230	550				
D287P	550	45(1143)	1/16 (1.6)	5	5	2600 (11.6)	17,500 (77.8)	17,500 (77.8)	17,500 (77.8)	17,500 (77.8)	14,000 (1.6)	73	200	106(2692)	610	230	550				
D288P	650	54(1372)	1/16 (1.6)	5	5	1400 (6.2)	17,500 (77.8)	17,500 (77.8)	17,500 (77.8)	17,500 (77.8)	14,000 (1.6)	88	200	116(2946)	710	275	650				
D289P	650	54(1372)	1/16 (1.6)	5	5	2200 (9.8)	17,500 (77.8)	17,500 (77.8)	17,500 (77.8)	17,500 (77.8)	18,000 (2.0)	88	200	116(2946)	710	275	650				
D291P	750	62(1575)	3/32 (2.4)	5	5	1200 (5.3)	17,500 (77.8)	17,500 (77.8)	17,500 (77.8)	17,500 (77.8)	18,000 (2.0)	103	500	132(3353)	810	315	750				
D295P	750	62(1575)	3/32 (2.4)	5	5	1850 (8.2)	17,500 (77.8)	17,500 (77.8)	17,500 (77.8)	17,500 (77.8)	18,000 (2.0)	103	500	132(3353)	810	315	750				
D304P	900	80(2032)	1/8 (3.2)	5	5	950 (4.2)	17,500 (77.8)	17,500 (77.8)	17,500 (77.8)	17,500 (77.8)	18,000 (2.0)	146	500	165(4191)	1010	365	900				
D308P	900	80(2032)	1/8 (3.2)	5	5	1450 (6.4)	17,500 (77.8)	17,500 (77.8)	17,500 (77.8)	17,500 (77.8)	18,000 (2.0)	146	500	224(5690)	1010	385	900				
D312P	1050	92(2337)	1/8 (3.2)	5	5	800 (3.5)	17,500 (77.8)	17,500 (77.8)	17,500 (77.8)	17,500 (77.8)	18,000 (2.0)	146	500	263(6680)	1210	455	1050				
D316P	1050	92(2337)	1/8 (3.2)	5	5	1250 (5.6)	17,500 (77.8)	17,500 (77.8)	17,500 (77.8)	17,500 (77.8)	18,000 (2.0)	146	500	263(6680)	1210	455	1050				

Address: 66-1-2, Dandong Street, Zhongshan Dist., Dalian, China.

Tel: +86-411-82789881 E-mail: info@tcipower.com Website: http://www.tcipower.com

Germany: Heinrich-Heine-Allee 3, 40213 Düsseldorf